

3M x 3M Folding Marquee

Please Note:

All artwork is printed in CMYK colour space
Please Convert all PMS or RGB artwork to an equivalent CMYK breakup

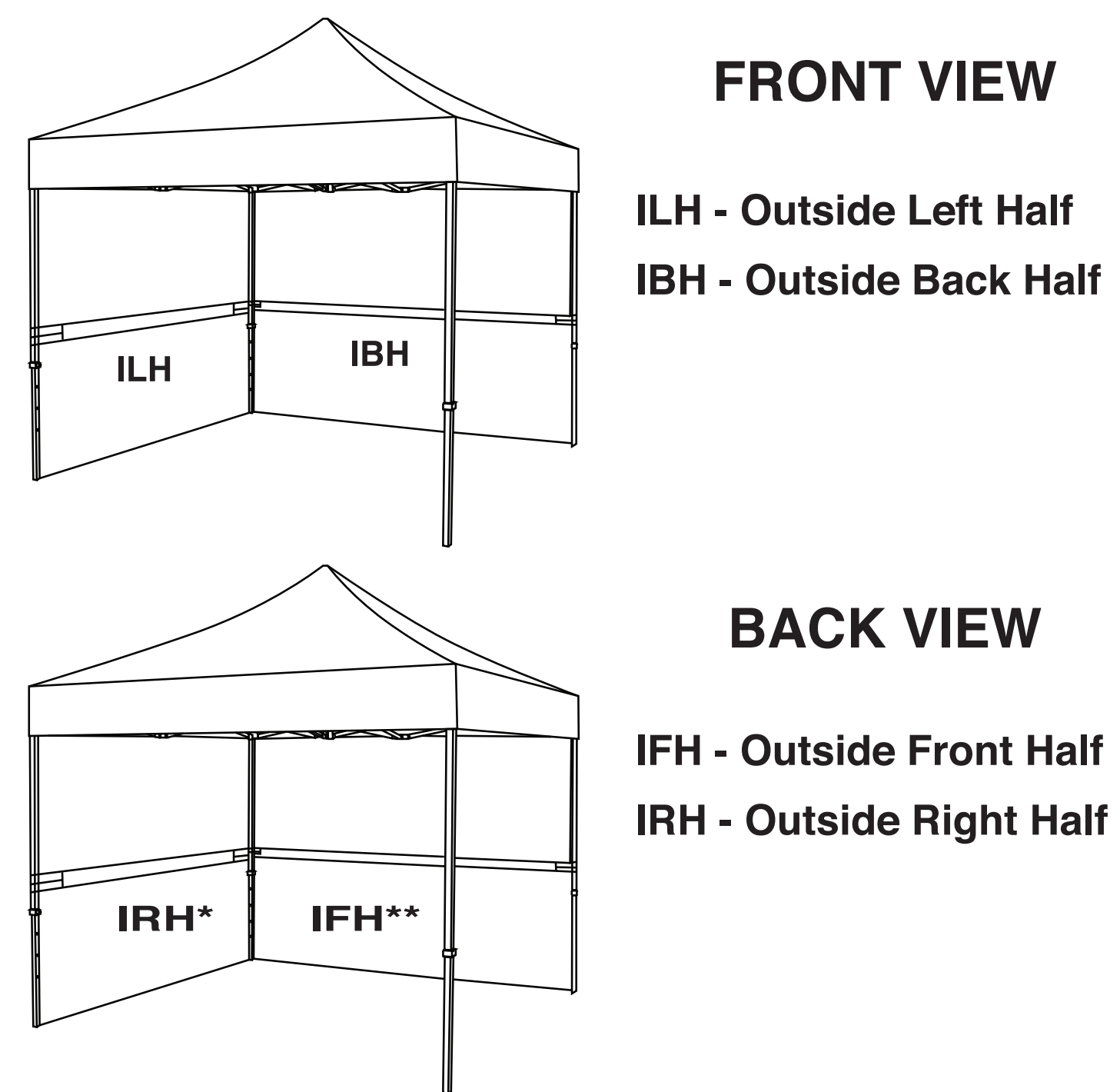
Please be aware that slight colour variation may occur in the printing process from a monitor output.
Place artwork in the designated layer of this document

This template is designed at a 10% scale of the final product.
Rasterised artwork supplied at 300dpi to suit this template size is the minimum requirement for a high quality final print

Fabric colours - PVC and Polyester

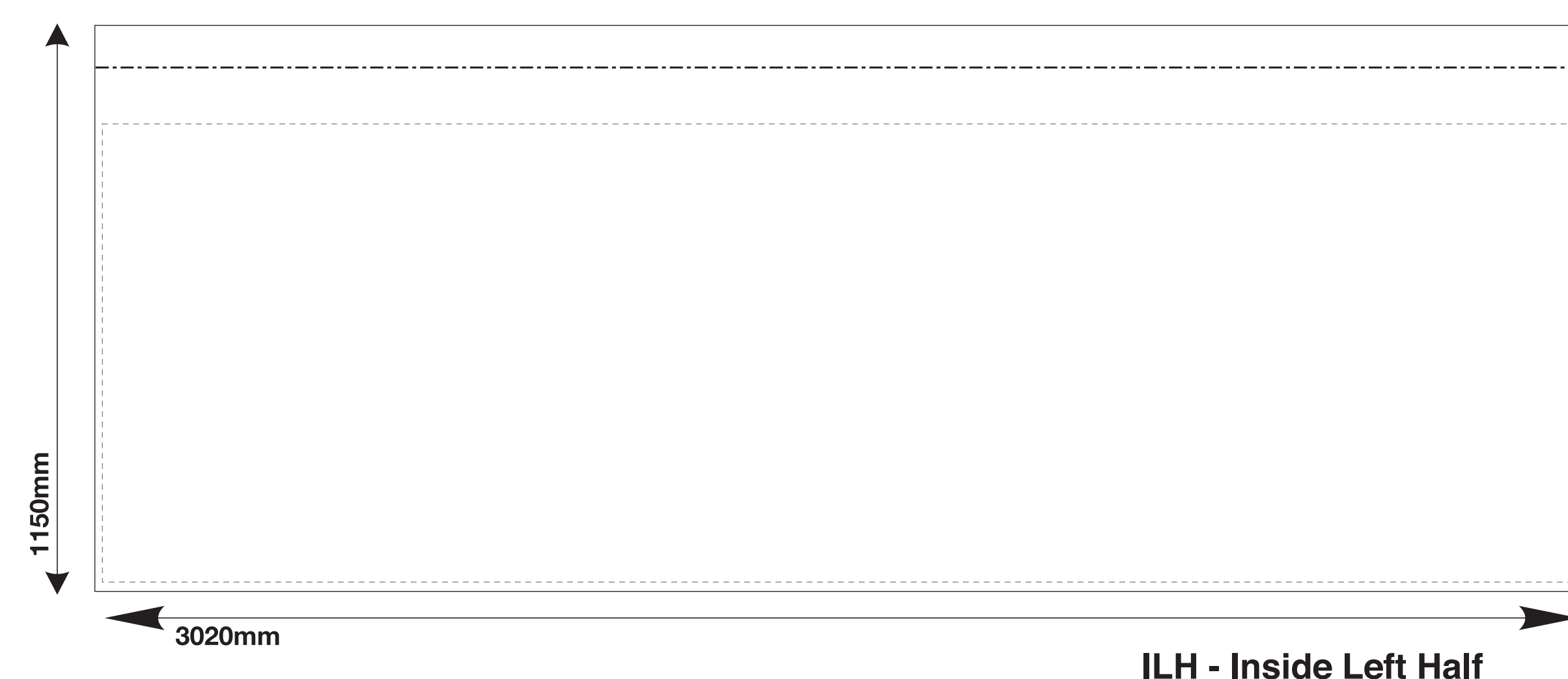
	White	Black	Red	Pink	Green
PVC	CMYK - 0, 0, 0, 0 Pantone - White	CMYK - 63, 52, 51, 100 Pantone - Process Black	CMYK - 36, 100, 73, 10 Pantone - PMS 7419	CMYK - 10, 90, 10, 9 Pantone - PMS 675	CMYK - 74, 35, 74, 67 Pantone - PMS 553
Polyester	CMYK - 0, 0, 0, 0 Pantone - White	CMYK - 63, 52, 51, 100 Pantone - Process Black	CMYK - 25, 100, 78, 0 Pantone - PMS 193		CMYK - 80, 32, 90, 30 Pantone - PMS 7483
	Dark Blue	Light Blue	Yellow	Maroon	Orange
PVC	CMYK - 84, 68, 0, 5 Pantone - PMS 7455	CMYK - 83, 0, 12, 23 Pantone - PMS 632	CMYK - 0, 25, 100, 0 Pantone - PMS 123	CMYK - 63, 100, 78, 10 Pantone - PMS 209	CMYK - 0, 64, 96, 0 Pantone - PMS 158
Polyester	CMYK - 100, 70, 0, 0 Pantone - PMS 660		CMYK - 0, 25, 100, 0 Pantone - PMS 123	CMYK - 48, 100, 78, 22 Pantone - PMS 188	CMYK - 0, 71, 86, 0 Pantone - PMS 164

INSIDE HALF WALLS

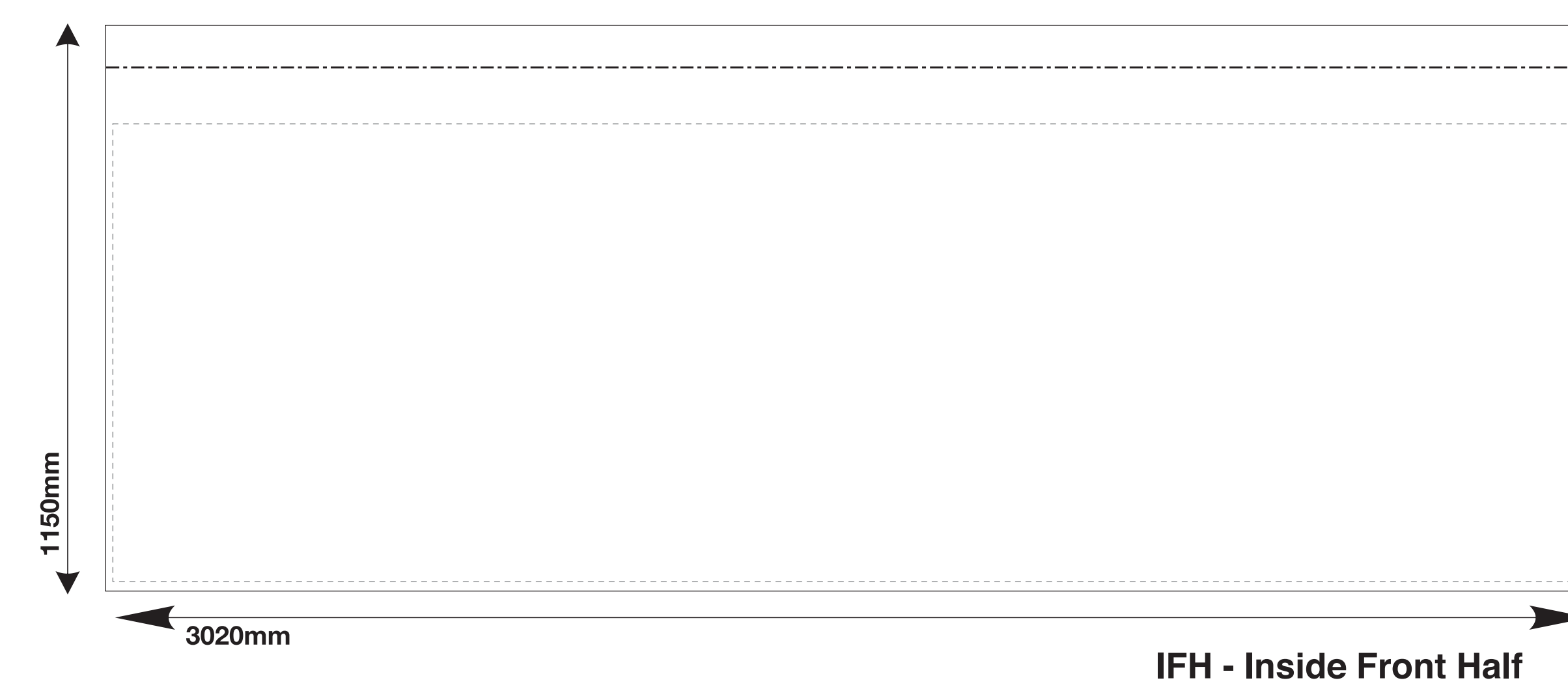


*Viewing this marquee from the front, this wall is on the right hand side
**Viewing this marquee from the front, this wall is at the front

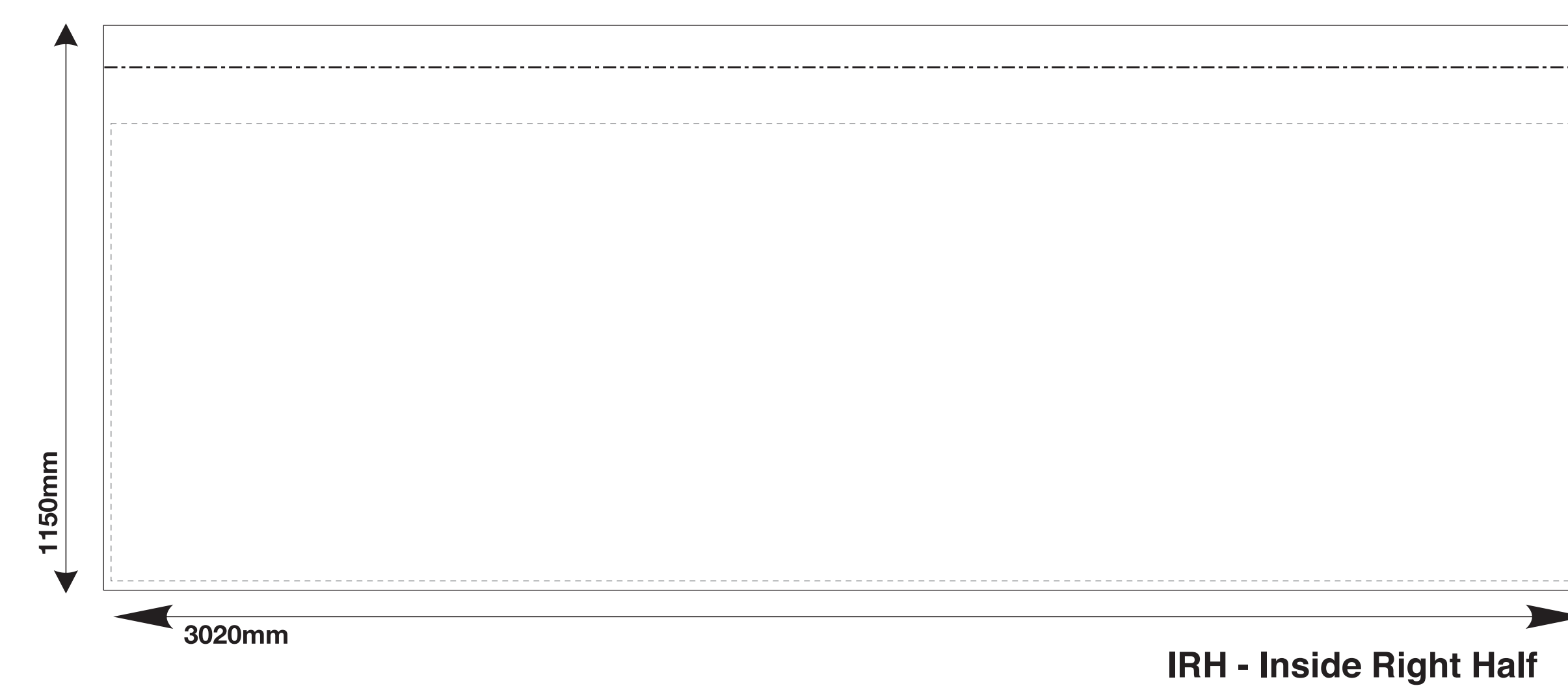
LEFT HALF-WALL INSIDE PANEL



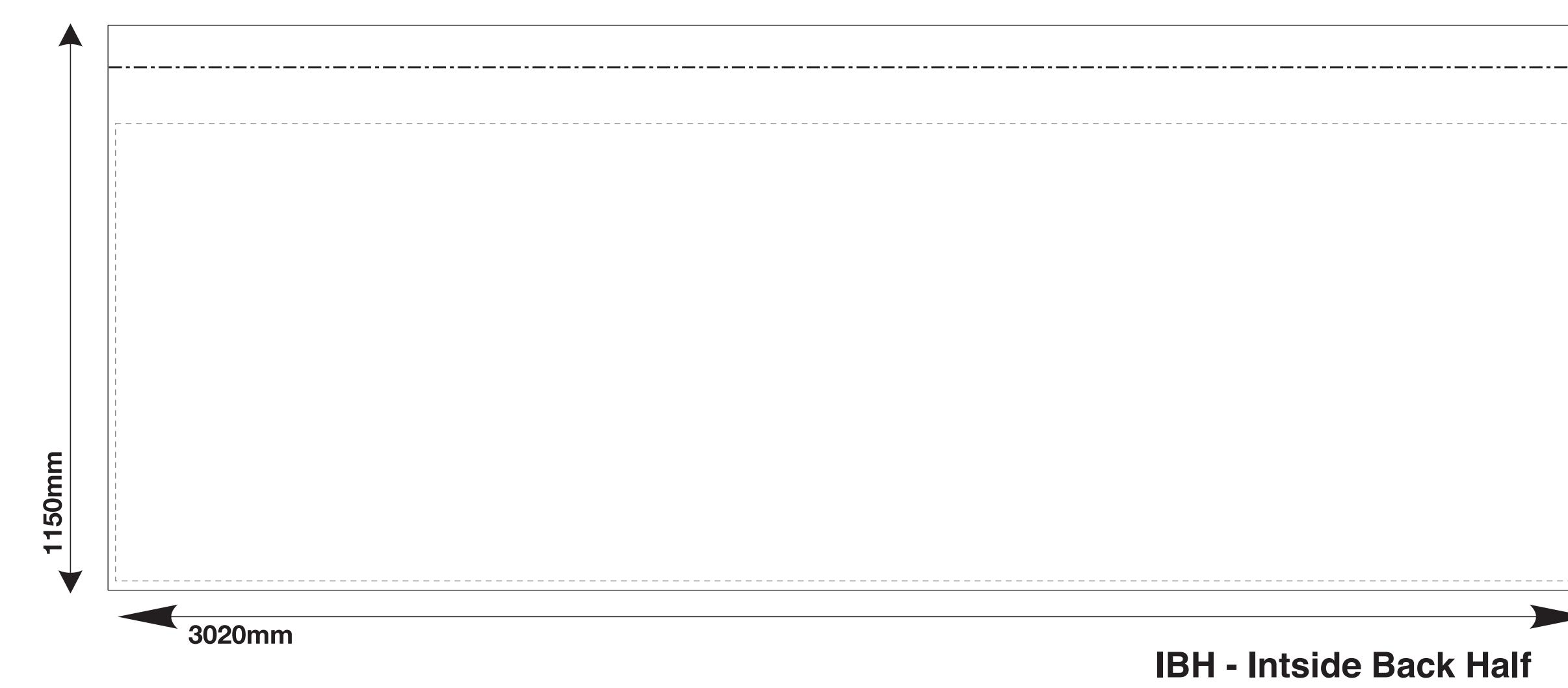
FRONT HALF-WALL INSIDE PANEL



RIGHT HALF-WALL INSIDE PANEL

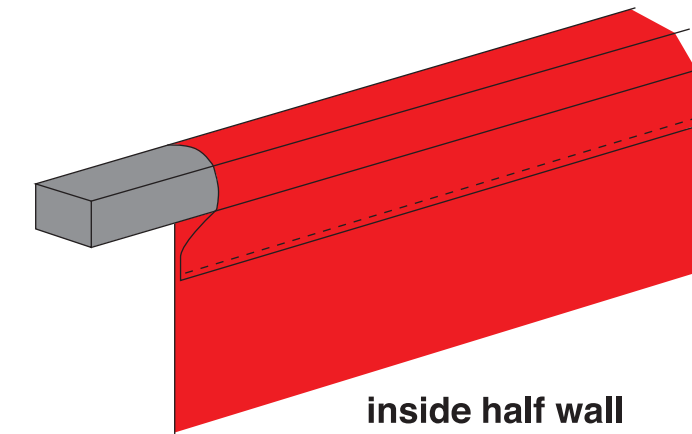


BACK HALF-WALL INSIDE PANEL



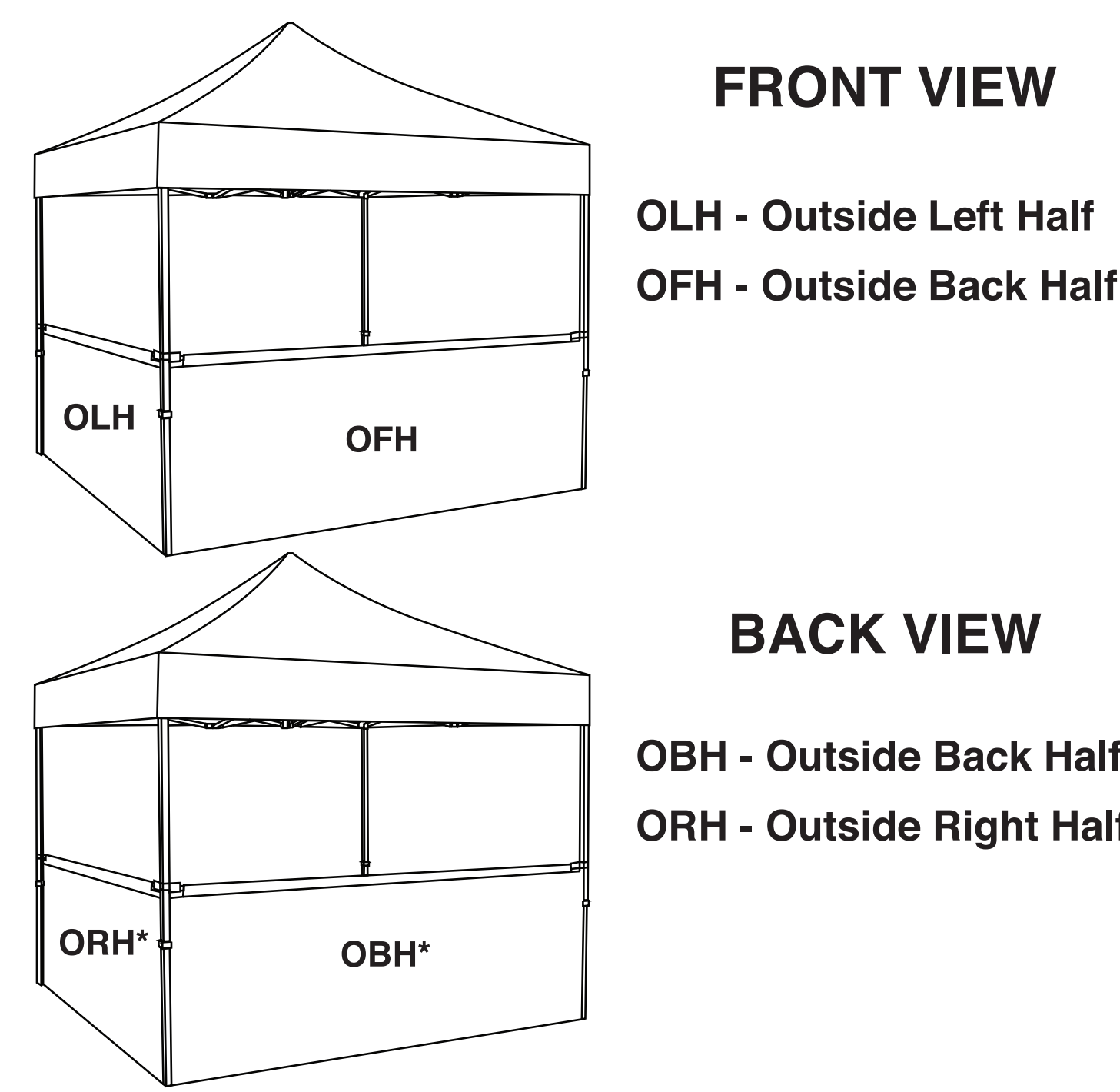
Key

- Edge of panel
- - - - - Stitching line
- - - - - Top of the half wall



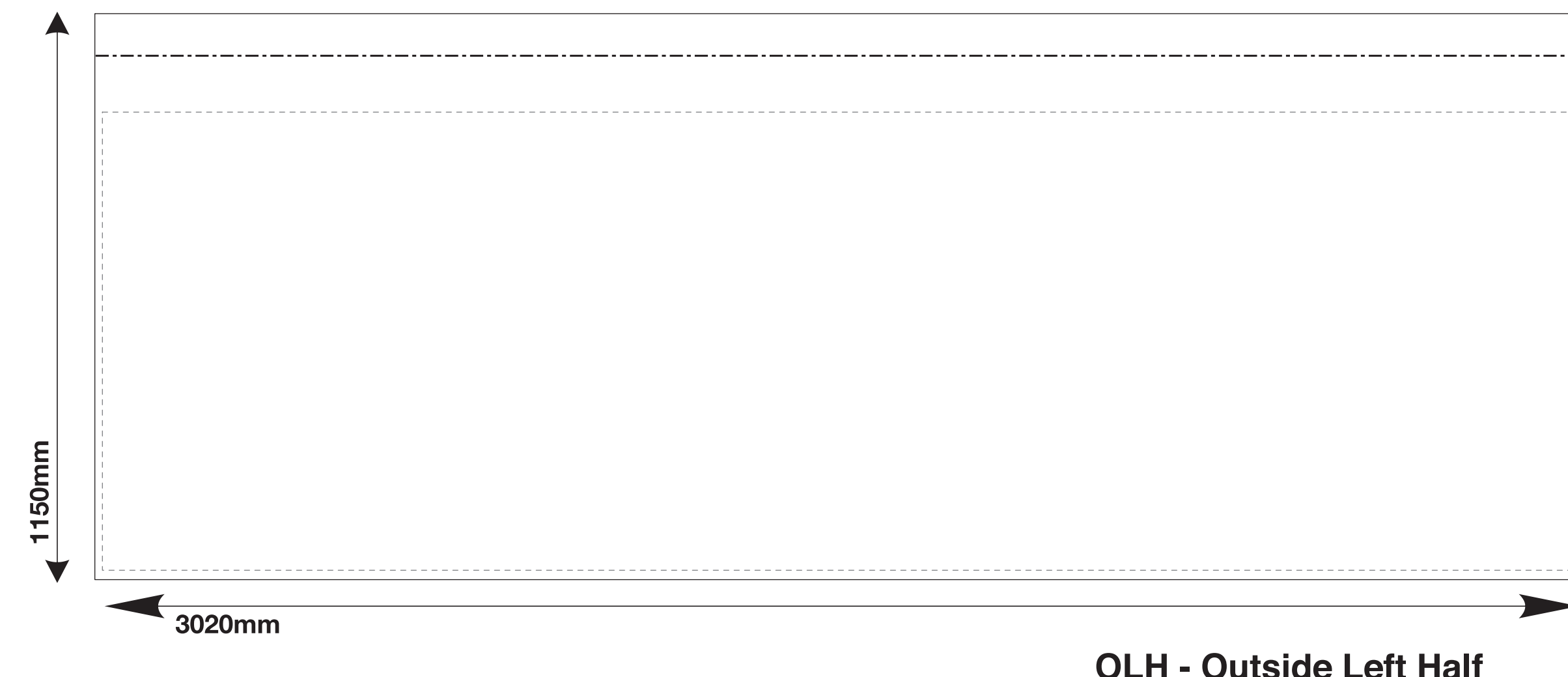
Note: Halfwalls are folded over a crossbar and attached onto the inside side.
For front side printing, the artwork should be up to the designated 'top of the halfwall' line. Inside wall artwork should finish at the stitching line.

OUTSIDE HALF WALLS

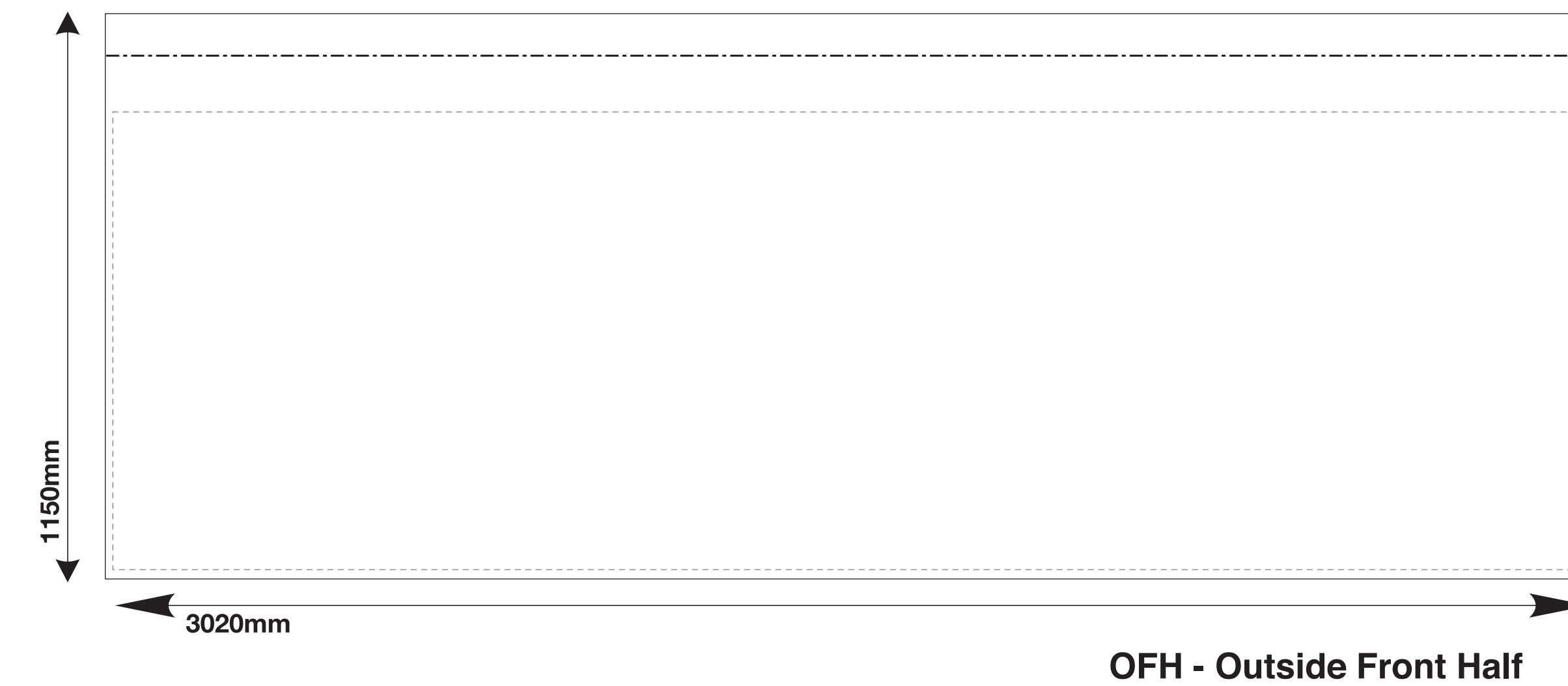


*Viewing this marquee from the front, this wall is on the right hand side

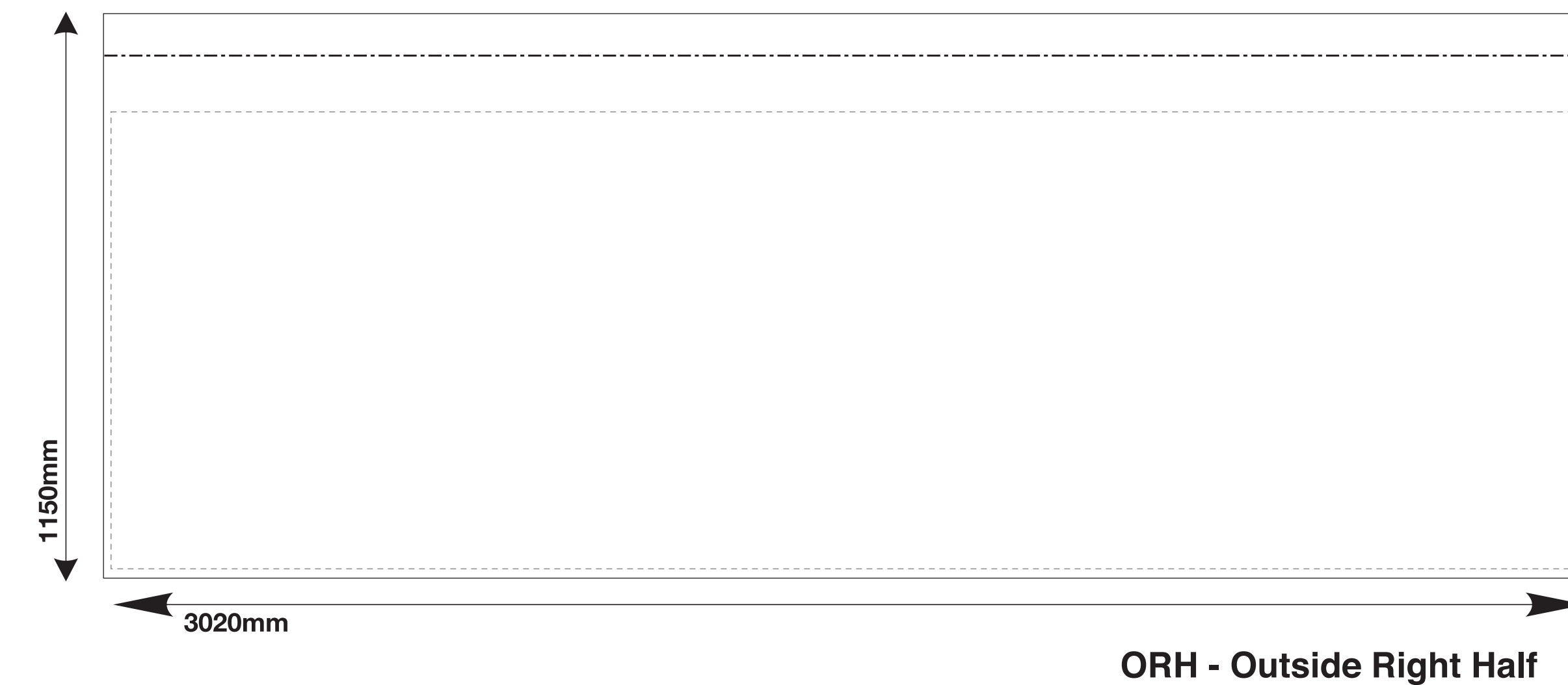
LEFT HALF-WALL OUTSIDE PANEL



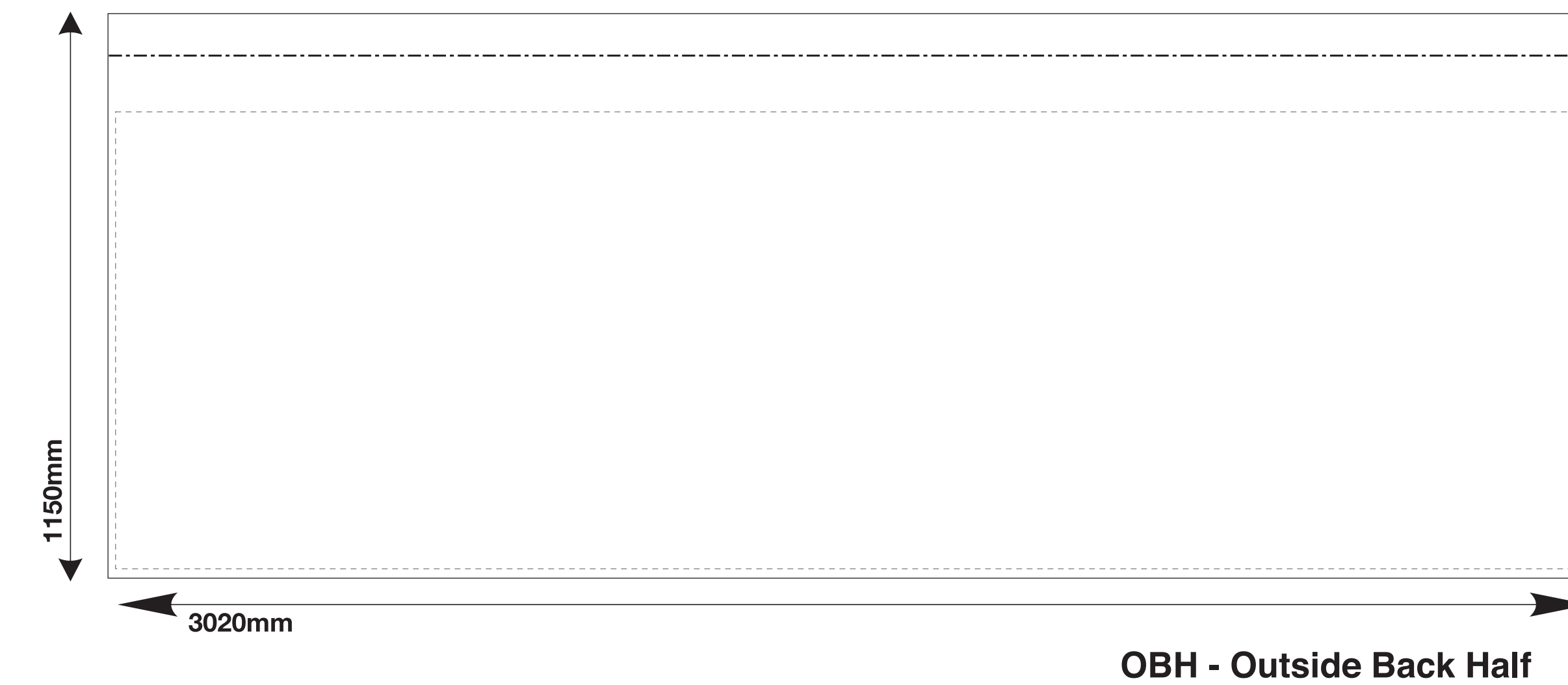
FRONT HALF-WALL OUTSIDE PANEL



RIGHT HALF-WALL OUTSIDE PANEL

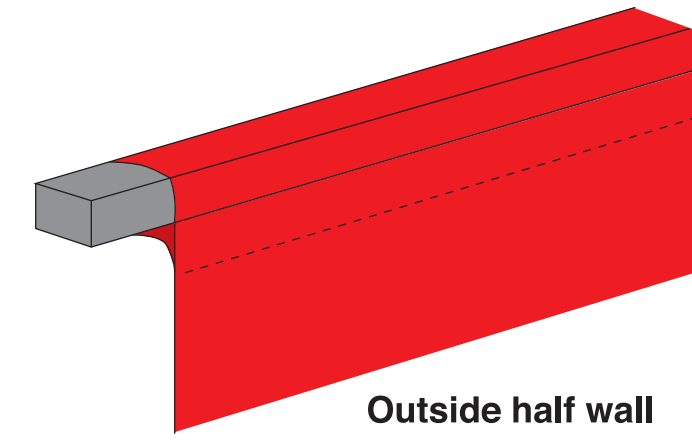


BACK HALF-WALL OUTSIDE PANEL



Key

- Edge of panel
- - - - - Stitching line
- - - - - Top of the half wall



Note: Halfwalls are folded over a crossbar and attached onto the inside side.
For front side printing, the artwork should be up to the designated 'top of the halfwall' line. Inside wall artwork should finish at the stitching line.